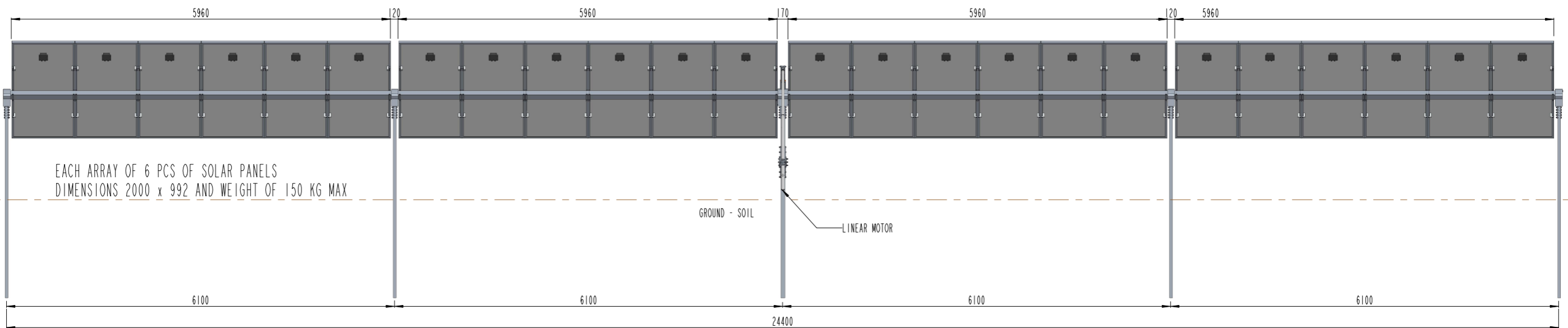
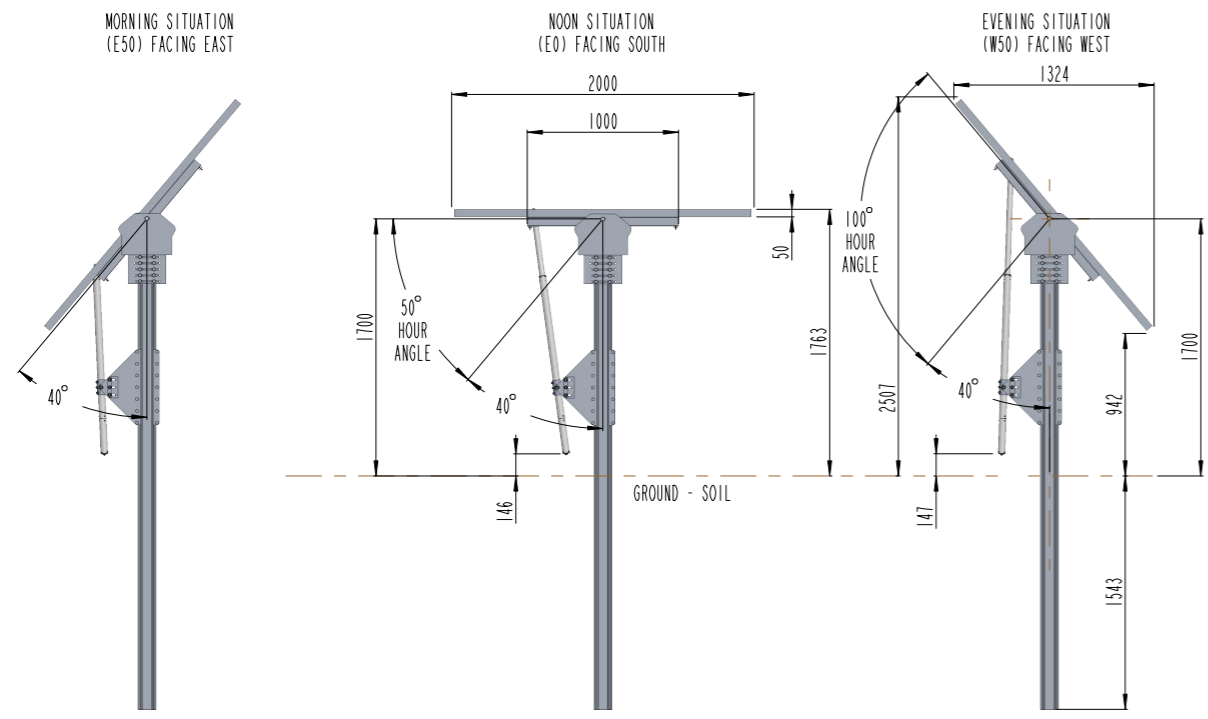


THIS IN-LINE TRACKER STL24 CAN TURN 4 ARRAYS BY 6 SOLAR PANE WHICH IS EQUAL TO 24 SOLAR PANELS WITH TOTAL SOLAR PANEL SURFACE OF 47,68 M<sup>2</sup> AND TOTAL WEIGHT OF SOLAR PANELS 540 KG AND POWER OF 7,92 KWP



EACH ARRAY OF 6 PCS OF SOLAR PANELS  
DIMENSIONS 2000 x 992 AND WEIGHT OF 150 KG MAX



PULL-OUT FORCE MUST BE GREATER THAN 1 TON PER POLE

PILLAR PITCH BETWEEN TRACKERS IS MIN 5M, MAX 6M

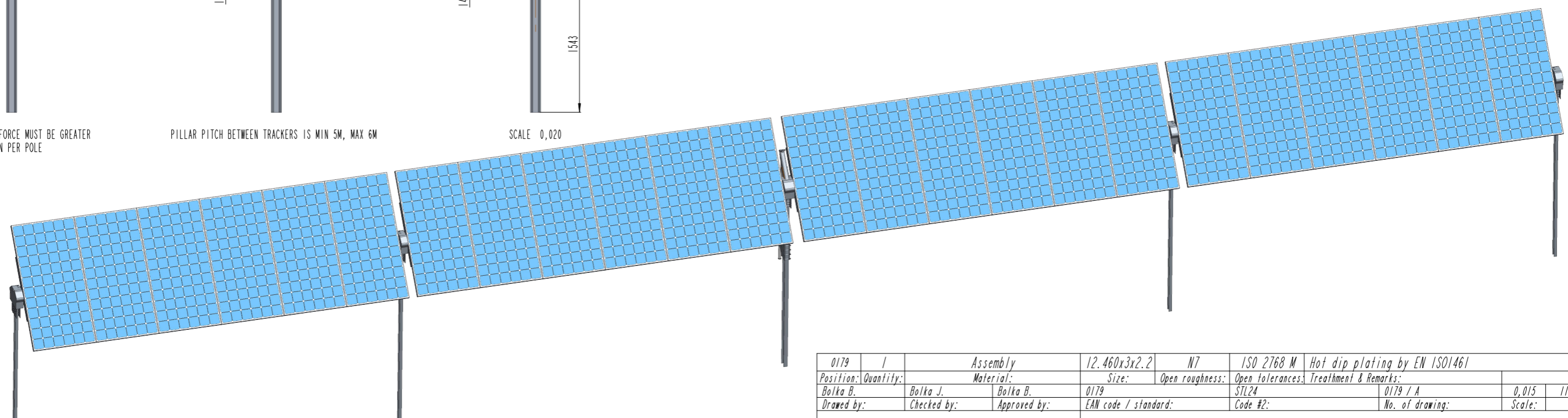
SCALE 0,020

PLEASE NOTE:

THE FIRST LEG IS NOT A PART OF A SOLAR TRACKER AND NEED TO PURCHASED SEPARATELY BECAUSE LAST LEG OF PREVIOUS SOLAR TRACKER IS ALSO A FIRST LEG OF NEXT SOLAR TRACKER, BUT IS HERE ONLY TO SEE A WHOLE PICTURE OF SOLAR TRACKER

WIND PARAMETERS:

MAX. WIND SPEED IN OPERATING IN ANY WORKING POSITION IS 20 M/S  
SURVIVAL MAX. WIND SPEED WHEN NOT OPERATING - TABLE IS NOT IN SAFE WIND POSITION IS 30 M/S  
SURVIVAL WIND SPEED IN SAFE WIND POSITION - (HORIZONTAL) IS 50 M/S  
SNOW PARAMETERS: SNOW LOAD UP TO 108 KG/M<sup>2</sup> AREA A2 - UP TO 400 M ABOVE SEA LEVEL



0179	1	Assembly	12.460x3x2.2	N7	ISO 2768 M	Hot dip plating by EN ISO1461	
Position: Quantity:		Material:		Size:	Open roughness:	Open tolerances: Treatment & Remarks:	
Bolka B.	Bolka J.	Bolka B.	0179	STL24	0179 / A	0,015 1138678,390 g	
Drawn by:		Checked by:		Approved by:			
EAN code / standard:			Code #2:		No. of drawing: Scale: Mass:		
<p>Sat Control d.o.o. Pozenik 10, SI-4207 CERKLJE - SLOVENIA (EU)</p>						Description: Solar Tracker STL24 single axis in-line for 24 sol. pan w. pillar legs	
						File: STL24 / STL24	